

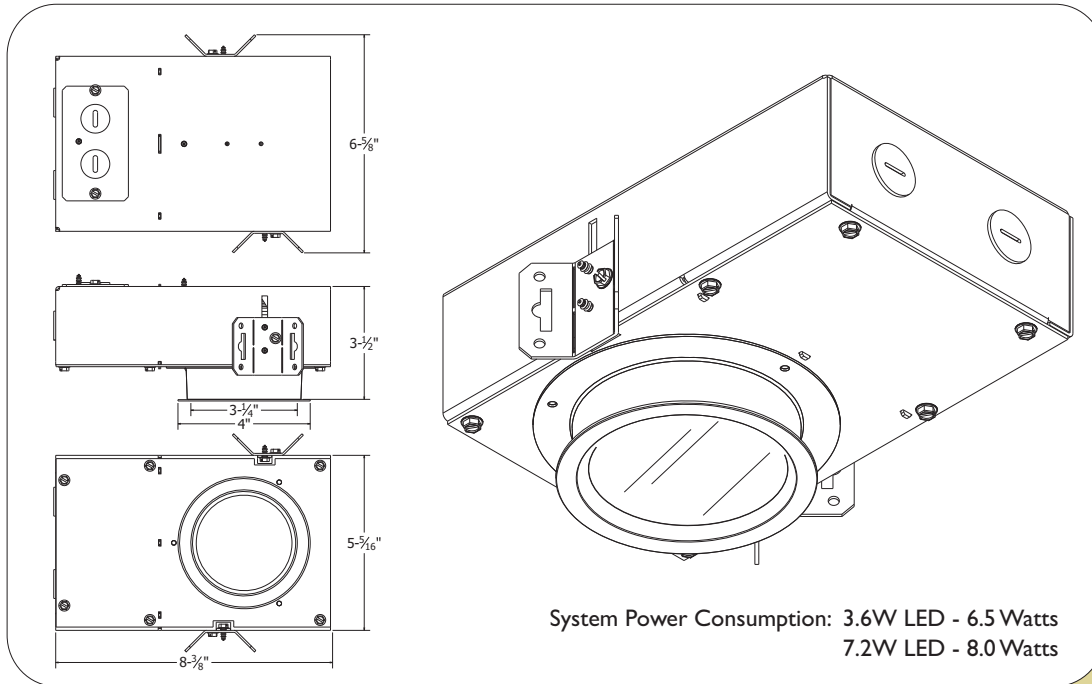
NAOS SERIES 3" LED DOWNLIGHT LENSED RECESSED MOUNT



Project: _____

Fixture Type: _____

Product Code: _____



DIMENSIONS
Aperture: 3-1/4"
Length: 8-3/8"
Width: 5-1/4"
Height: 3-1/2"

Shallow Plenum Height.
Wet Location,
Covered Ceiling.
Meets Washington State
Air Leakage Requirements.
Type IC.
Suitable for Use in Showers

System Power Consumption: 3.6W LED - 6.5 Watts
7.2W LED - 8.0 Watts

PRODUCT CODE

HOUSING

Luminaire Type	LED Wattage	CRI	Kelvin	Supply Voltage
3LDR - 3" LED Downlight, Recessed	3.6W -watts 7.2W -watts	85 - 85CRI 70 - 70CRI	30K - 3000K 35K - 3500K 41K - 4100K	1 - 120VAC <i>Consult factory for other voltages.</i>

REFLECTOR

Reflector Series	Wet Location Lens
R3LD	RCL - Recessed Clear Lens.



PRODUCT SPECIFICATIONS

HOUSING & REFLECTOR

AL housing. Passive thermal management system to insure long life and lumen maintenance. AL reflector, Alzak finish. Deep cone creates balance of visual cut off and smooth light output. Integral non-conductive, clear polycarbonate lens and white flange prevents moisture from entering the luminaire.

LED

GE™ Vio™ high power, violet-base, white LED is serviceable from below ceiling and can be replaced or upgraded. Sub binned by 3Style for LED to LED color variation +/- 50K luminaire to luminaire. Less than 75K color shift and 70% lumen maintenance over 50,000 hour life. No Ultra Violet, RoHS compliant, mercury free.

INTEGRAL DRIVER

Class2 120VAC, constant current driver, serviceable from below ceiling.

MOUNTING

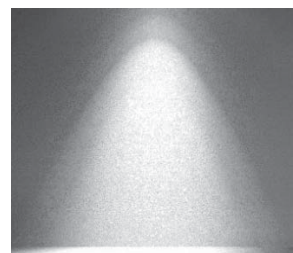
Includes 26" bar hangers and brackets. Accommodates T-grid ceilings, wood or metal joist ceilings up to 3/4" thick ceiling materials. Ceiling cut-out is 3-1/2".

LISTINGS

ETL certified to UL1598 & UL8750. Wet location, covered ceiling. Type-IC in 25°C ambient. Meets and exceeds Washington State Air Leakage requirements.

CANDELA DISTRIBUTION

Distribution



DATA TO FOLLOW

Patent Pending